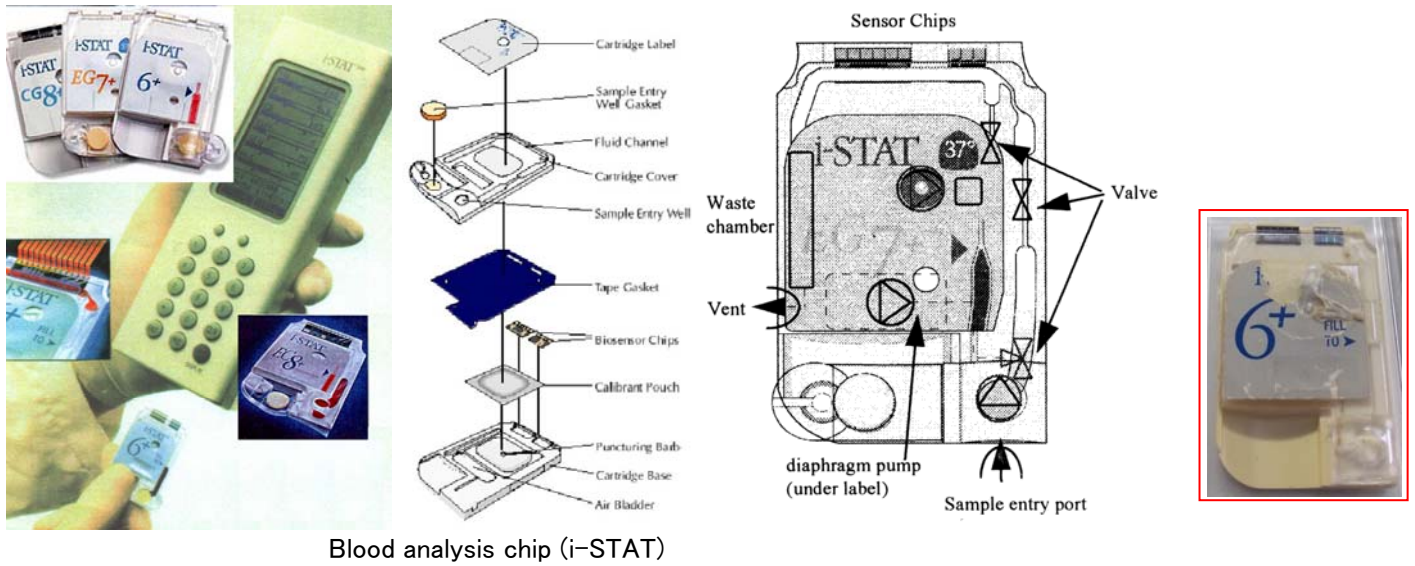
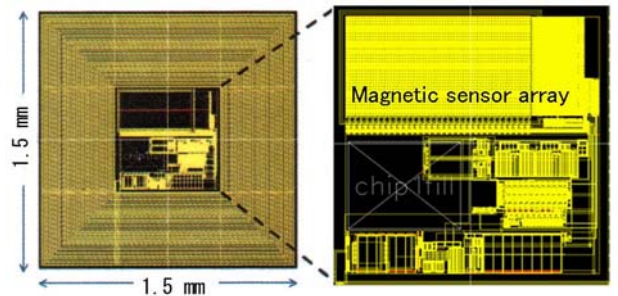
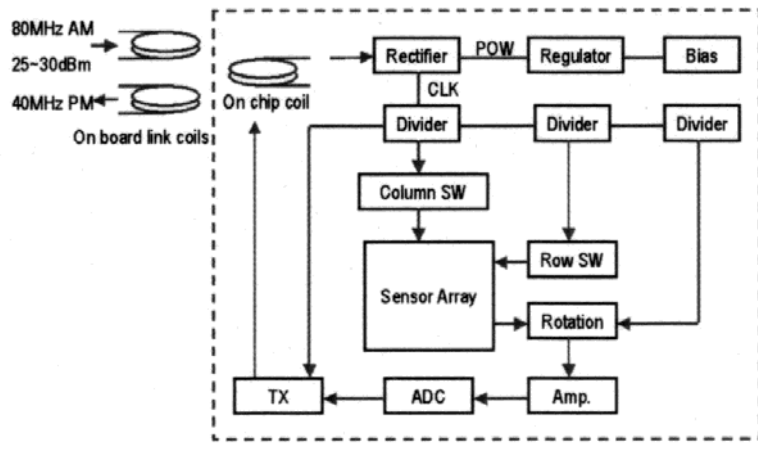
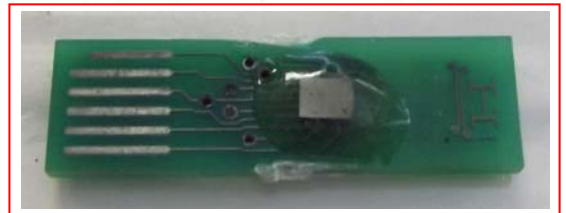
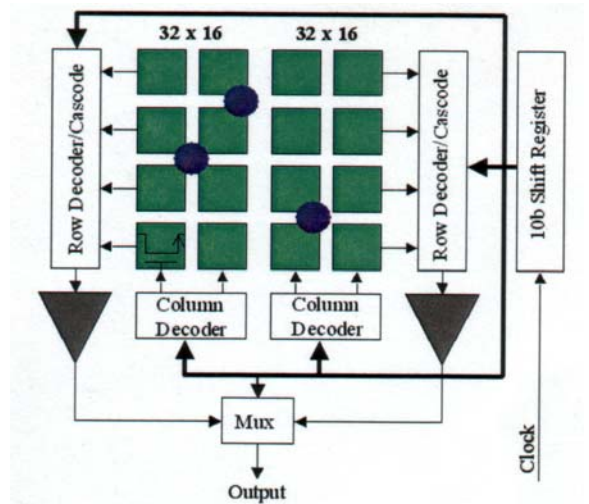
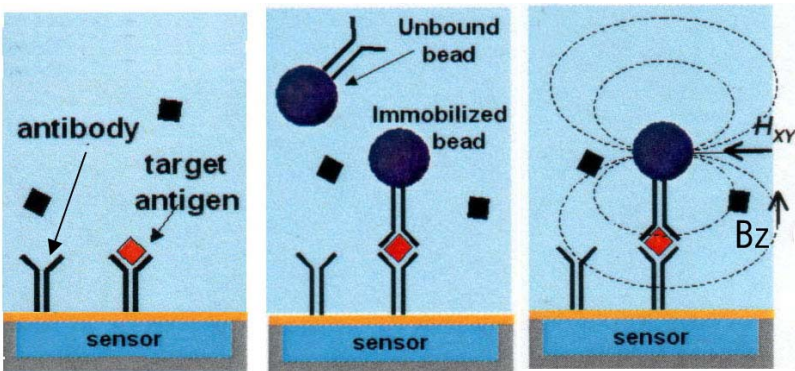


# Disposable Chemical Analysis Chip (2)



Blood analysis chip (i-STAT)

Reference : I.R.Larks, Microfabricated Biosensors and Microanalytical Systems for Blood Analysis, Acc. Chem. Res., 31 (1998) pp.317-324



Wireless immunosensor chip (U.C.Berkeley – Sharp)

Reference : T.Ishikawa, T.S.Aytur and B.E.Boser, A Wireless integrated immunosensor, Complex Medical Eng. 2005 (CME2005) (2005) pp.943-946