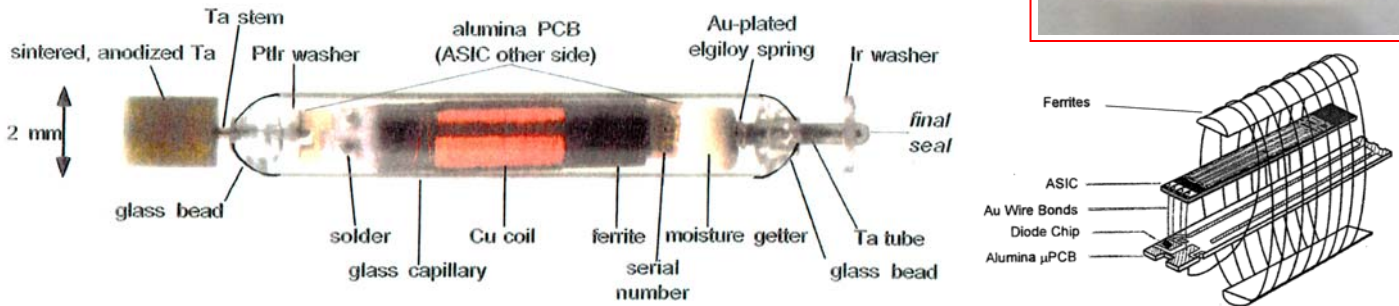
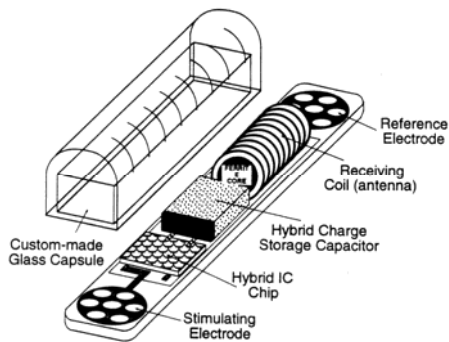
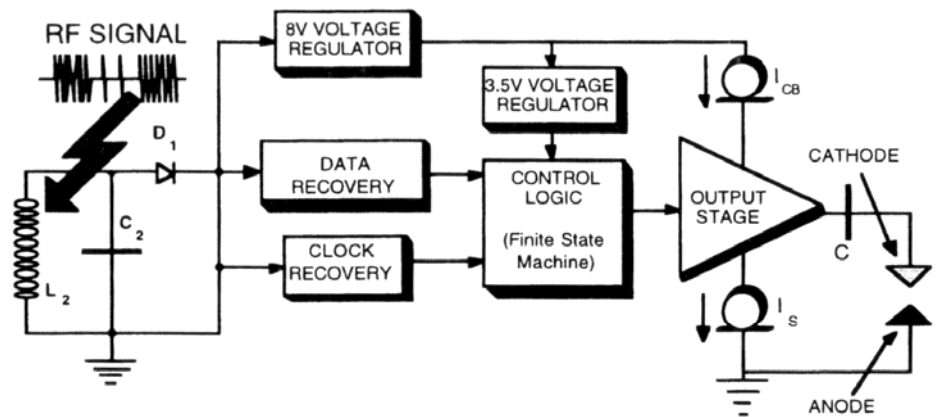
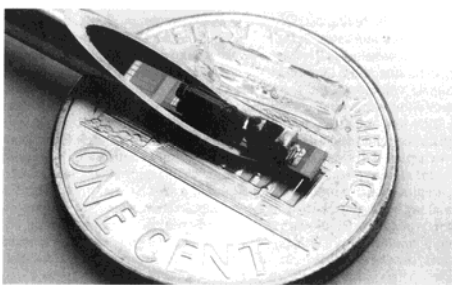


Implantable Stimulator



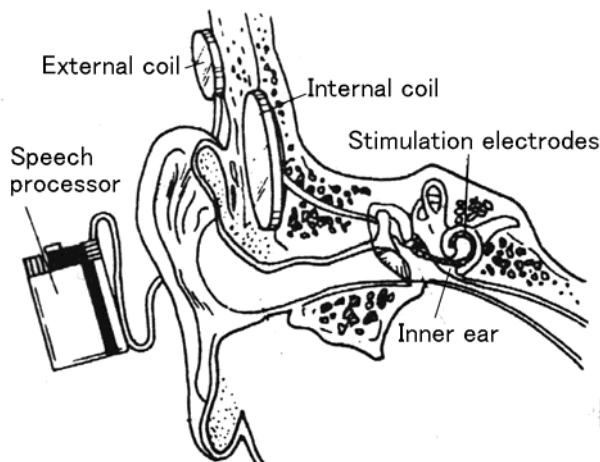
Implantable electrical stimulator BION (BIONic Neuron) (Univ. of Southern California)

Reference : G.E.Loeb, F.J.R.Richmond, W.H.Moore and R.A.Peck, Design and Fabrication of Hermetic Microelectronic Implant, 1st Annual Internl. IEEE-EMBS Special Topic Conf. on Microtechnologies in Medicine & Biology (2000) pp.455-459



Implantable electrical stimulator (Univ. of Michigan)

Reference : B.Ziaie, M.D.Nardin, A.R.Coghlan and K.Najafi : A single-channel implantable micro stimulator for functional neuromuscular stimulation, IEEE Trans. on Biomedical Eng., 44 (1997) pp.909-920



Cochlear implant (Cochlear (Australia))

Reference : T.R.Gheewala, R.D.Melen and R.L.White : A CMOS implantable multielectrode auditory stimulator for the deaf, IEEE J. Solid-State Circuit, SC-10 (1975) pp.472-479