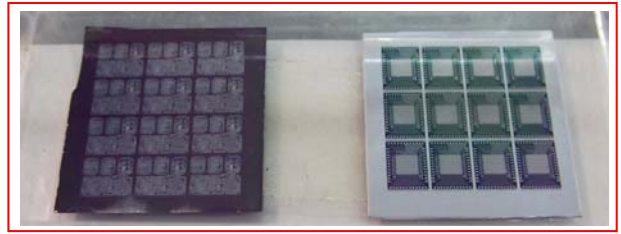
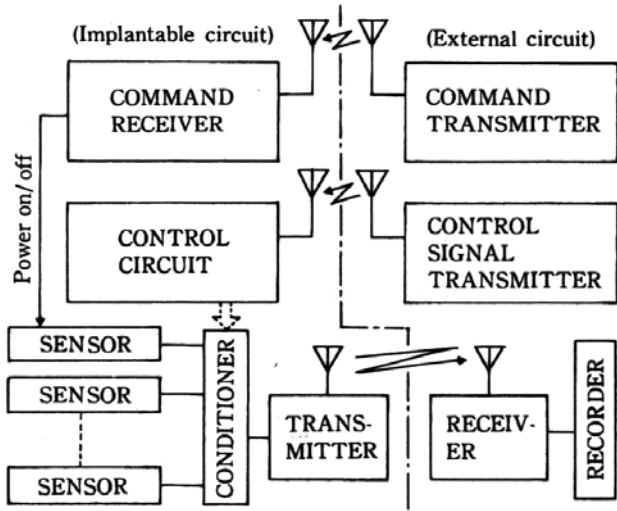
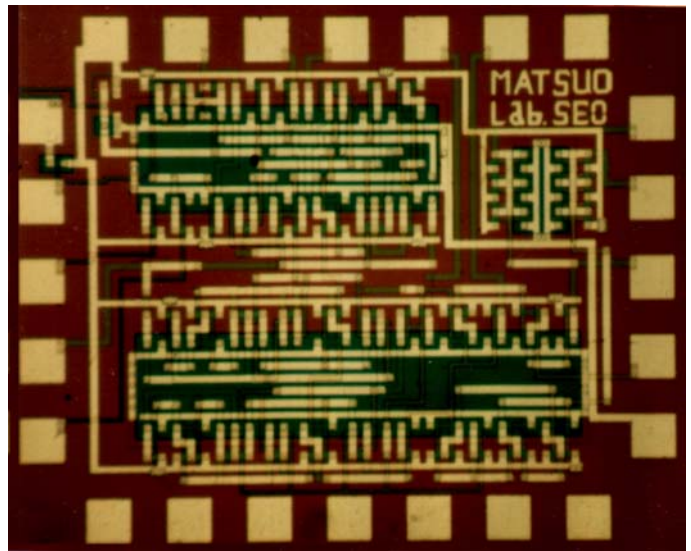
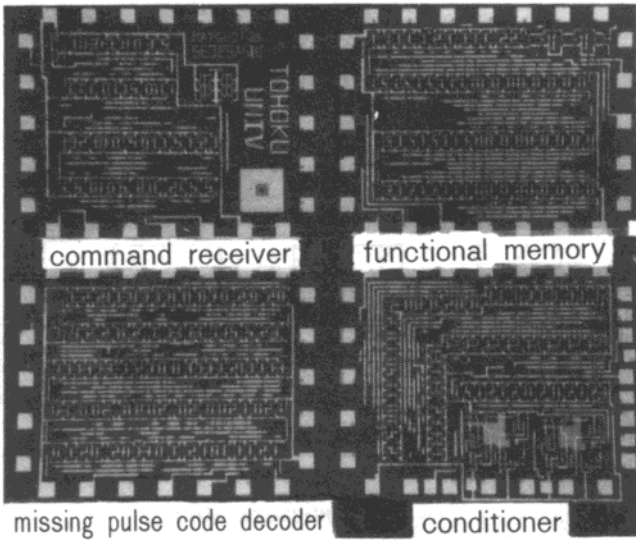
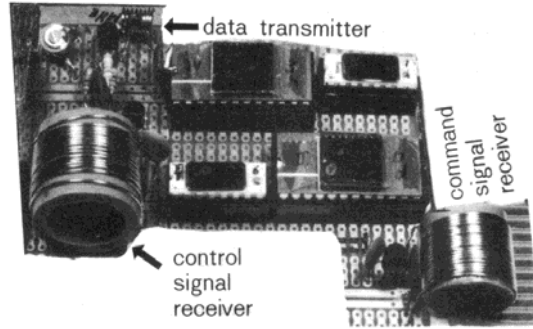


Custom Integrated Circuit

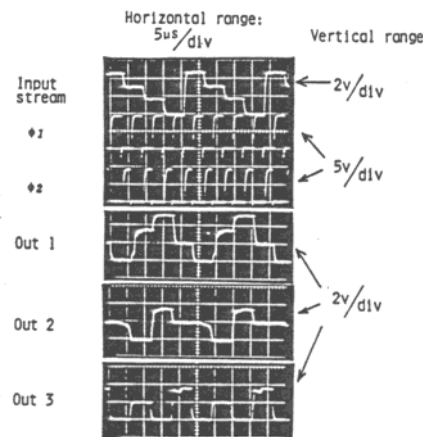
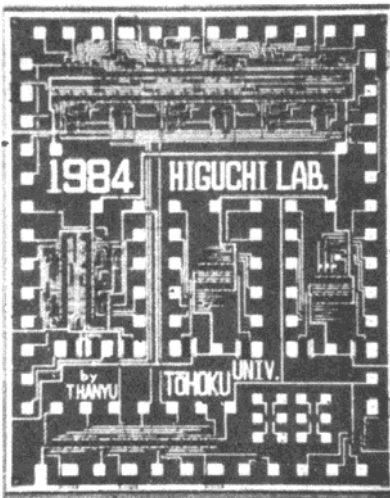


CMOS chip for implantable telemetry, NMOS chip for barrel shifter

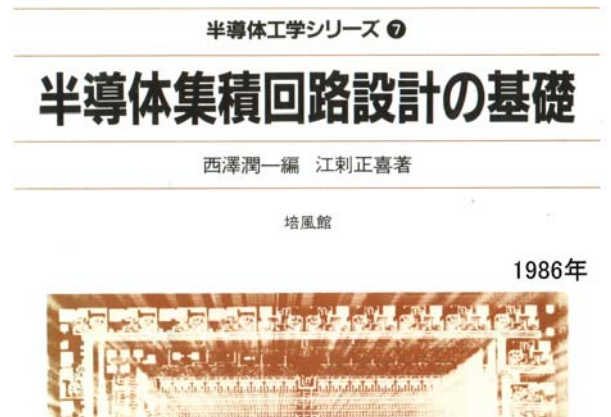


CMOS integrated circuit for implantable telemetry

Reference : H.Seo, M.Esashi and T.Matsuo, Manufacture of Custom CMOS LSI for an Implantable Multipurpose Biotelemetry System, Frontiers of Medical and Biological Engineering, 1 (1989) pp.319-329



Chip for multi-value logic



Reference : M.Kameyama, T.Haniyu, M.Esashi and T.Higuchi, An NMOS Pipelined Image Processor Using Quaternary Logic, IEEE Int.Solid-State Circuit Conf.,WPM8.2 (1985) pp.86-87

Parallel image processor using custom IC and the environment for IC design and prototyping are shown in separated panel.