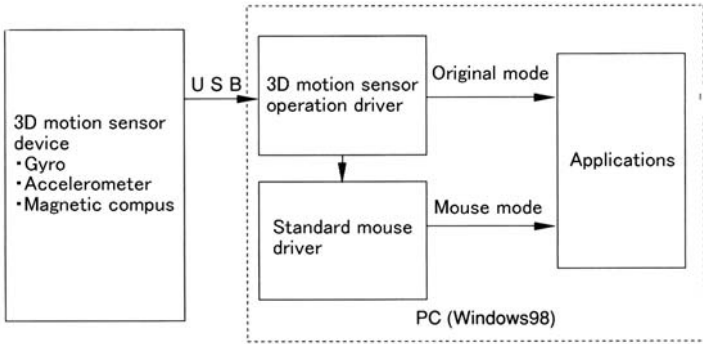


# 3D Motion Sensor / Combo Sensor



**Summary**

Sensor unit for real time detection of 3D position and angle. This consists of ceramic gyros, accelerometers and magnetic compasses. Using USB this can be used by connecting to PC systems based on Windows98, accelerometers and magnetic compasses.

**Features**

- Small size • Light weight
- Quick response 125 kHz
- USB interface (Plug & Play)

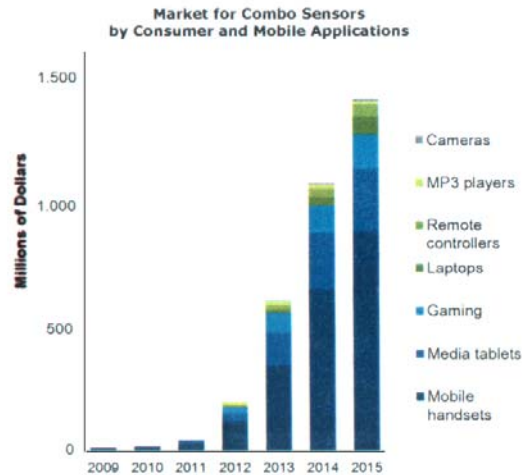
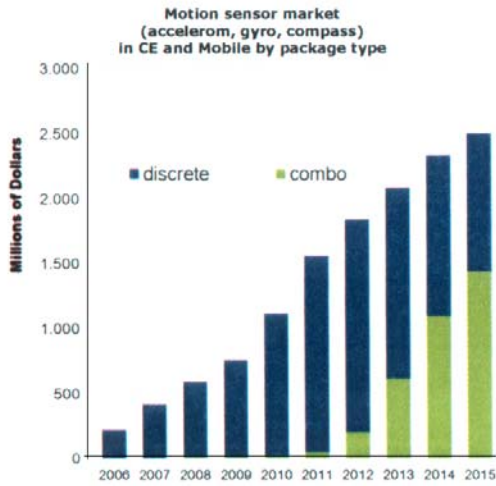
**Applications**

- Tracker for headmount display
- Input devices for personal computer, game etc
- Position and angle detection of moving object

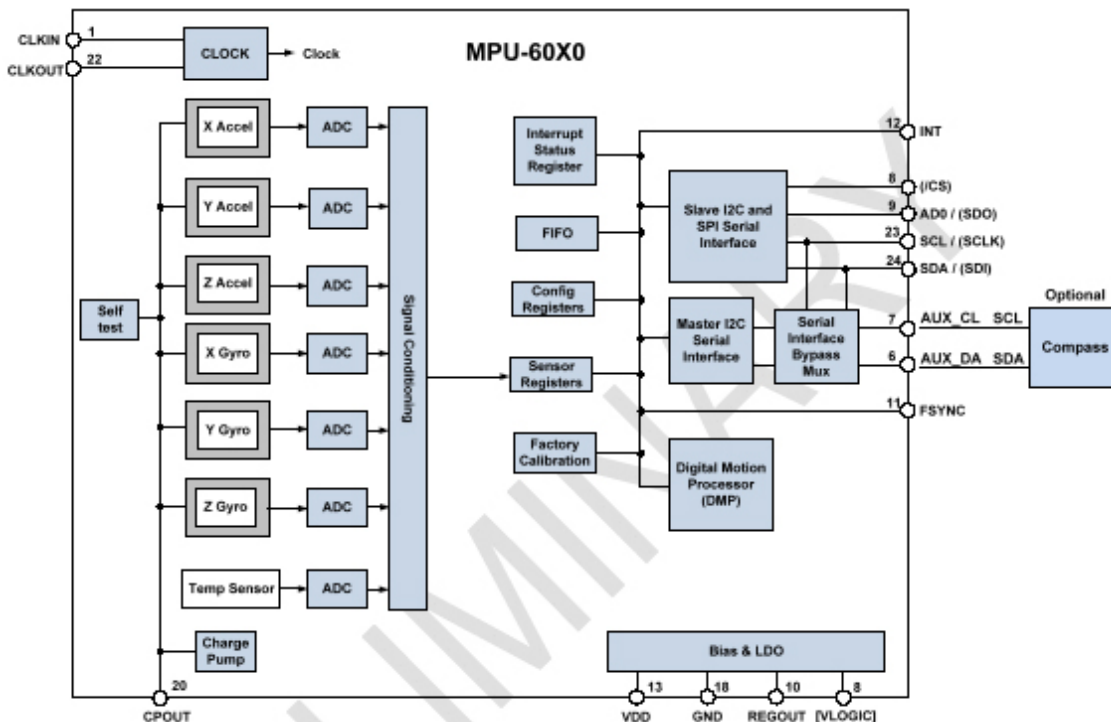


3D motion sensor (MDP-A3U7, 1999) (Tokin)

The future of motion sensors is COMBO!  
6-axis compass / 6-axis IMU / 9-axis IMU



Trend of Combo sensor



Combo sensor (Invensense)