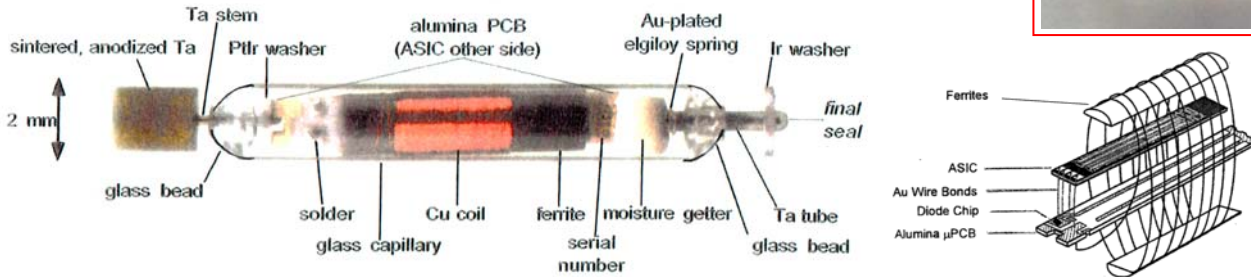
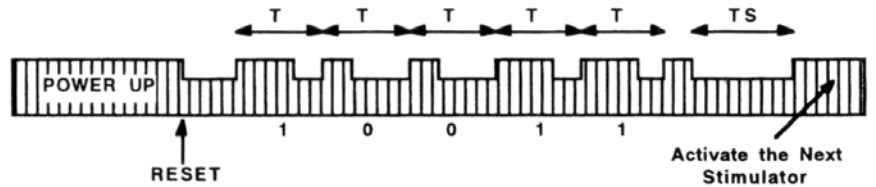
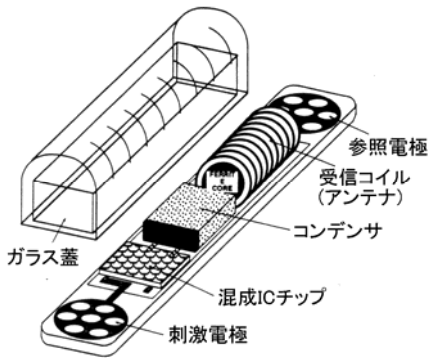
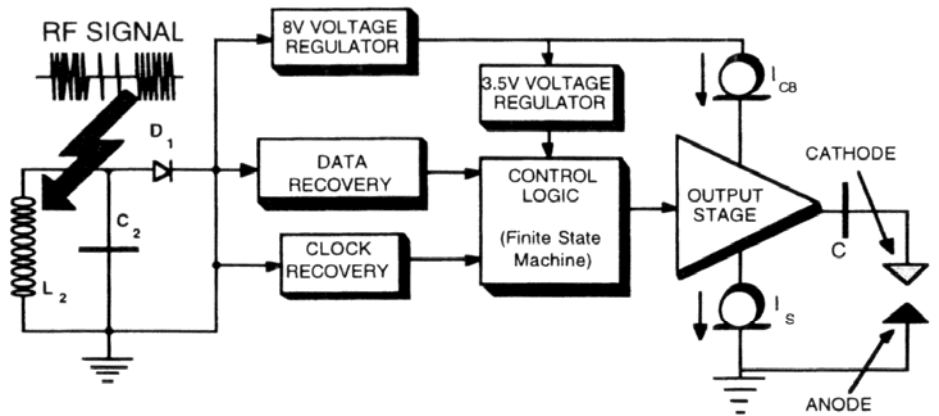
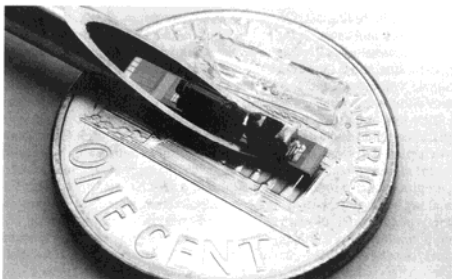


体内埋込刺激装置



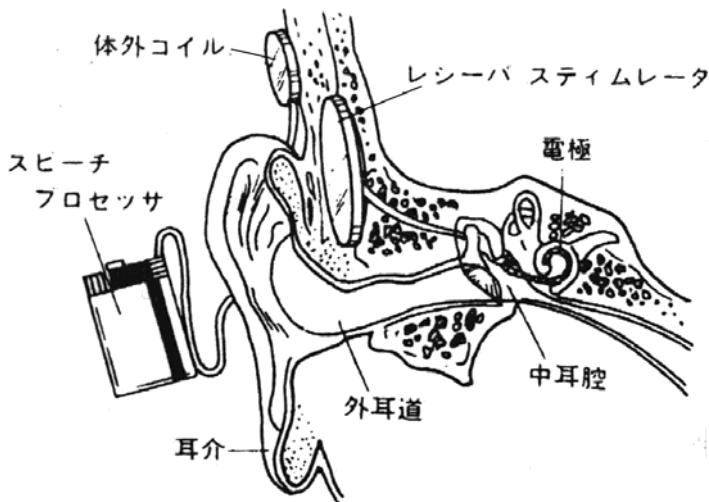
体内埋込電気刺激装置 BION (BIOnic Neuron) (Univ. of Southern California)

参考文献 : G.E.Loeb, F.J.R.Richmond, W.H.Moore and R.A.Peck, Design and Fabrication of Hermetic Microelectronic Implant, 1st Annual Internl. IEEE-EMBS Special Topic Conf. on Microtechnologies in Medicine & Biology (2000) pp.455-459



体内埋込電気刺激装置 (Univ. of Michigan)

参考文献 : B.Ziaie, M.D.Nardin, A.R.Coghlan and K.Najafi : A single-channel implantable microstimulator for functional neuromuscular stimulation, IEEE Trans. on Biomedical Eng., 44 (1997) pp.909-920



人工内耳 (コクレア社 (オーストラリア))

参考文献 : T.R.Gheewala, R.D.Melen and R.L.White : A CMOS implantable multielectrode auditory stimulator for the deaf, IEEE J. Solid-State Circuit, SC-10 (1975) pp.472-479