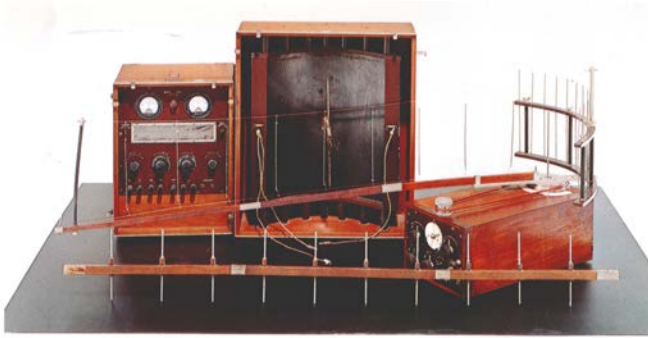


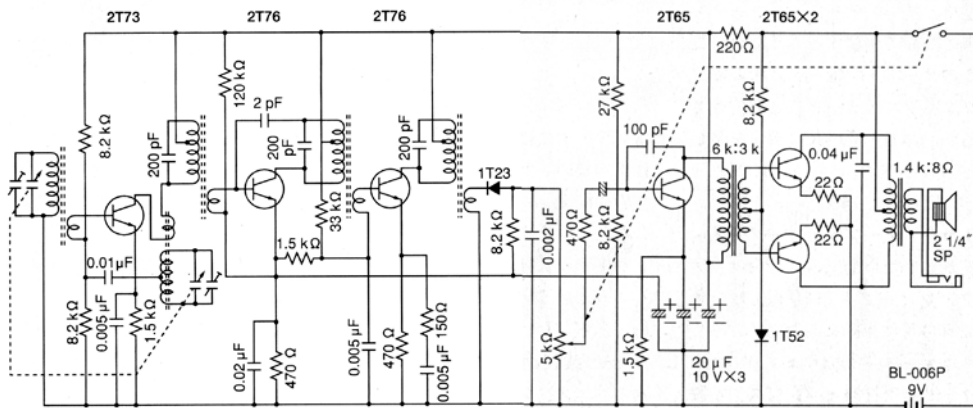
# Wireless communication



Yagi antenna (1928) (“Tohoku University” 2007/8/1)



Vacuum tube radio [1]



Transistor radio (1955)[2] (I.Sagara : History of electronics in 20<sup>th</sup> century, Nikkei electronics (1996))

[1] Donation by Mr. Masami Tawara (Optoelectronics)

[2] Donation by Emeritus Prof. Yakichi Higo of Tokyo Institute of Technology